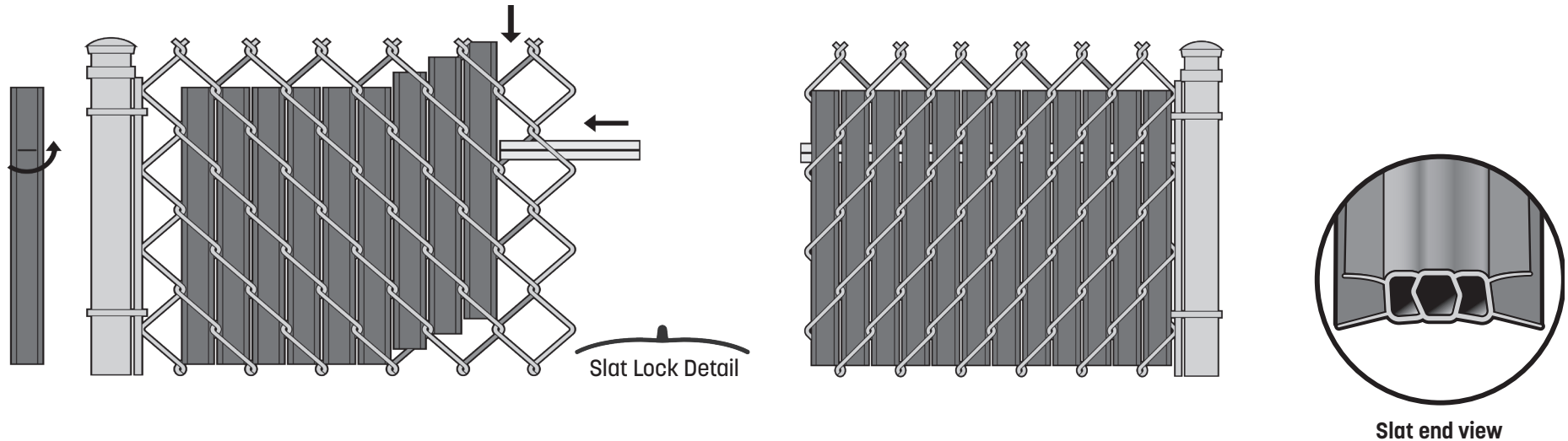


## INSTALLATION INSTRUCTIONS

*(Suggested installation instructions. Instructions vary per job site conditions)*



**Step 1.** Thread the locking strip through the chain link mesh, 2 diamonds down from the top of the fence, with the ridge on the locking strip facing to the front of the fence.

**Step 2.** Insert the slats vertically from top to bottom of the fence with the locking notch on top and facing to the back of the fence. The slats securely lock in place when the ridge slips into the groove of the slat.

SLAT NAME	SLAT WIDTH	MESH SIZE	WIRE GAUGE	COVERAGE AREA
ULTIMATE SLAT 2"	1 7/16"	2"	9	10 LINEAR FEET
ULTIMATE SLAT 2 1/4"	1 7/16"	2 1/4"	11	10 LINEAR FEET

### Ultimate Slat™ Specifications

## Ultimate™ Fence Slats